

## Calling for Expressions of Interest Public art at the Civic Centre

### **Background**

Goulburn Mulwaree Council is committed to creating a vibrant and engaging city scape and is calling for Expressions of Interest for one site to be transformed through the installation of public art. Goulburn Regional Art Gallery manages the public art on behalf of Goulburn Mulwaree Council. The selected artists and their work will be a significant addition to the streetscape of Goulburn, adding vitality and energy to the experience of the city.

### **The opportunity**

The Gallery is seeking Expressions of Interest from a **local professional artist/s** to propose work for the Civic Centre, 184 Bourke Street Goulburn. By definition of local, for the purposes of this EOI, the artist/s must reside within a 120km radius of Goulburn CBD. A map is included in this documentation.

The Gallery is seeking expressions from professional artist/s who have a strong visual arts practice that can create an engaging artwork that is **contemporary, appropriate for a broad and diverse audience and suitable for the Civic Centre**. The resulting artworks will be accessible 24 hours a day for many years to come, so expressions of interest should show consideration to this.

Submissions will be accepted from individual artists and artist collaborations.

### **The Site**

The site is the Civic Centre, 184 Bourke Street, Goulburn. The surfaces available for the installation of the artwork are the planter boxes and the columns facing on to Bourke Street. The site is the primary headquarters for Goulburn Mulwaree Council administrative offices. The Library and Gallery are also located at the site.

Site visits are strongly encouraged. See attached site survey.

### **Budget**

\$30,000 ex GST. All materials, freight, artist fees, insurances, labour, equipment hire and installation costs are to be included in this budget.

### **Considerations**

- The artistic content should be appropriate for a public space as well as a broad and diverse audience
- The proposed artwork should be of high quality and strong artistic integrity
- The proposed artwork should be complementary to its surrounds, including other public art nearby

- The proposed artwork should be made from materials that are robust enough to withstand exposure to the elements and easily sourced if repair and/or maintenance is required
- Submissions must consider all artistic fees, materials, equipment hire, insurances, labour, travel and installation within the allocated budget
- The artwork will enter the Gallery's permanent collection upon completion
- Evidence of public liability insurance and personal accident insurance will be required prior to the commencement of work on-site.
- Risk Management and Workplace Health and Safety (WHS) must be submitted with Safe Work Method Statements (SWMS) prior to the commencement of work on-site
- The selected artist/s will be required to enter in to an agreement with Goulburn Mulwaree Council for the creation of the work
- Submissions must include all requested items to be eligible for selection

### **Submissions**

The EOI submission should be emailed to [artgallery@goulburn.nsw.gov.au](mailto:artgallery@goulburn.nsw.gov.au) and must include all of the following items. This must not exceed 10MB.

- A CV (up to two pages) for each artist involved
- Contact name, phone number and email addresses for all applicants
- Up to ten quality images of work examples, with supporting information
- A 250 word artist statement summarising artistic practice generally
- A 250 word statement summarising your response to the opportunity and artwork proposed
- A mock-up of the proposed artwork for this EOI. This can be hand sketched, a scaled diagram or similar. Colours, if proposed, should be specified.
- An indication of the life span of the proposed work, and a list of proposed materials
- Two professional written references, as relevant to your artistic practice with contact details
- A timeline evidencing capacity to complete the project between 19 April 2019 and 30 June 2019
- A budget evidencing the use of the \$30,000 allocation across artist fees, installation equipment, materials, and other expenses as specific to proposed work
- Evidence of local status in form of a copy of driver's licence or equivalent documents

**SUBMISSIONS MUST BE RECEIVED BY 5PM, 5 APRIL 2019 TO BE ELIGIBLE.**

### **Selection criteria**

The successful artist/s will be selected on:

- The artistic merit of the proposed artwork
- The aesthetic and conceptual response to the site
- The appropriateness of the artwork's scale and materials
- The demonstrated capacity to be available and capable of completing the project within the proposed time frame and budget

### **Selection process**

This is an open request. The Expression of Interest will enable the selection panel to assess the artistic merit and capability of the artist's work within budget and a reasonable timeframe. Expressions will be assessed according to the selection criteria by a panel.

### **Key dates**

These dates should be considered as part of the application process.

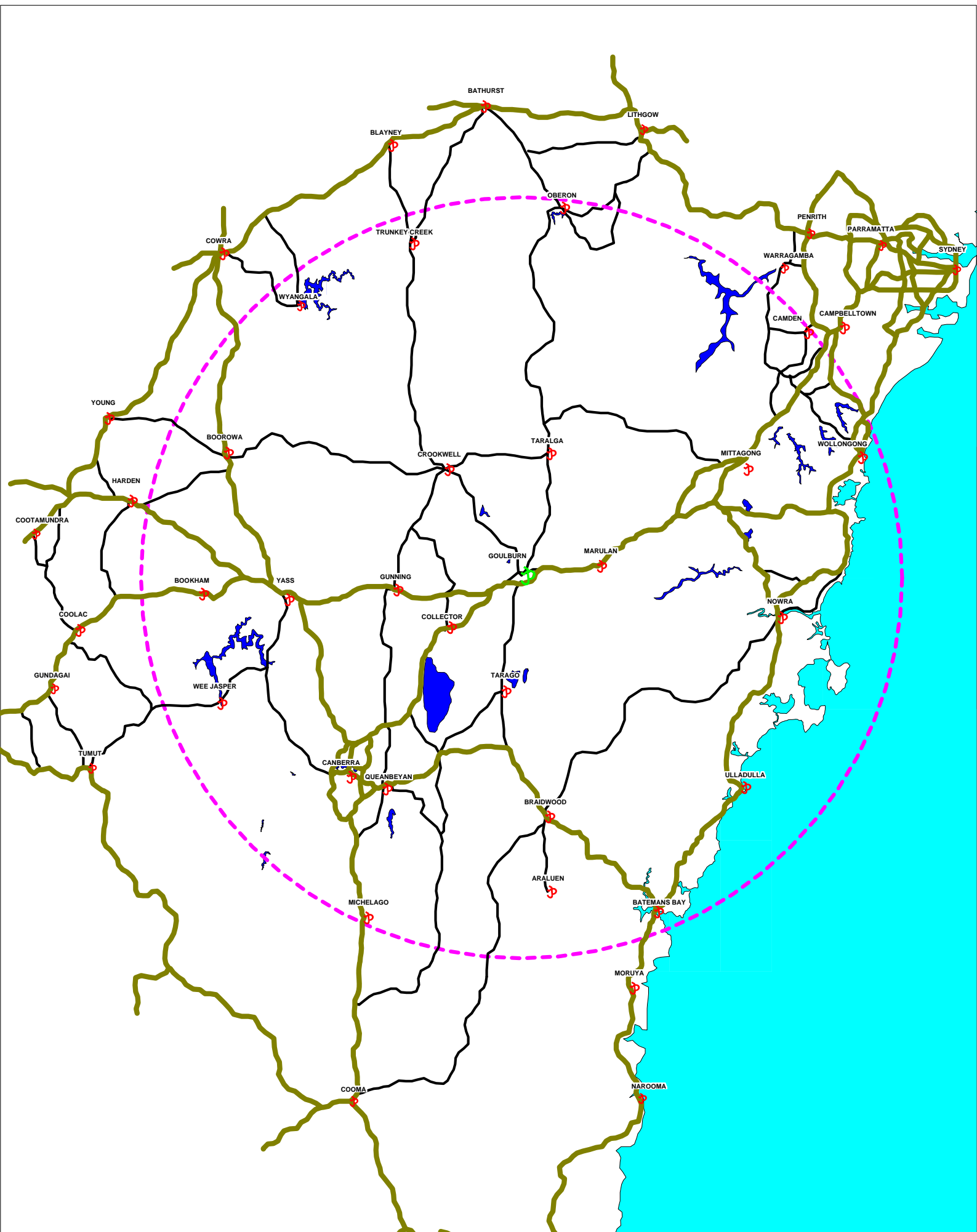
EOI opens:	5 March 2019
EOI closes:	5 April 2019
Artist announced:	19 April 2019
Project completion:	30 June 2019

### **Contact officer**

For further information, contact Gina Mobayed – Director, Goulburn Regional Art Gallery, Goulburn Mulwaree Council, 02 4823 4494 or [artgallery@goulburn.nsw.gov.au](mailto:artgallery@goulburn.nsw.gov.au).

### **The site**





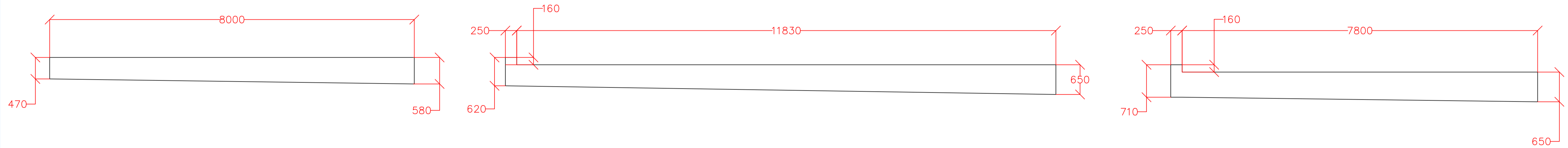
# CIVIC CENTRE GARDEN BEDS

## LIBRARY GARDEN BEDS

### FRONT AND BACK VIEW

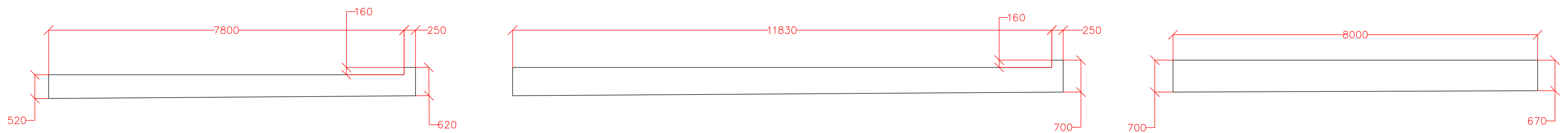
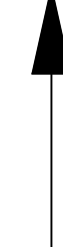
LIBRARY RETAINING WALL – FRONT VIEW  
AREA APPROX 15.8M<sup>2</sup>

BOURKE STREET



LIBRARY RETAINING WALL – BACK VIEW  
AREA APPROX 16.5M<sup>2</sup>


BOURKE STREET



NOT FOR CONSTRUCTION

DRAWING NUMBER DWGNO

INDEX	NAME	DATE	AMENDMENTS
SURVEYED	S-NAME	S-DATE	AMEND1
DESIGNED & DRAFTED	D-NAME	D-DATE	AMEND2
DESIGN REVIEWED	R-NAME	R-DATE	AMEND3
FINAL DESIGN CHECKED	FDC-NAME	FDC-DATE	AMEND4
ISSUED FOR CONSTRUCTION	IFC-NAME	IFC-DATE	AMEND5
WORK AS EXECUTED	WAE-NAME	WAE-DATE	AMEND6


 CIVIC CENTRE, 184-194 BOURKE STREET  
 GOULBURN, NSW-2580  
 LOCKED BAG 22, GOULBURN, NSW-2580  
 PHONE: (02) 4823 4444  
 FAX: (02) 4823 4456

AUSTRALIAN HEIGHT DATUM AS-1100 STANDARDS  
 If the actual work done differs from the original drawing the person performing the work must amend this copy accordingly and return it to the Design Office.

**APPROVED**  
 DT-NAME  
 DIRECTOR OF  
 GOULBURN MULWAREE  
 OPERATIONS  
 DATE: DD/MM/YYYY

TITLE1  
 TITLE2  
 TITLE3  
 TITLE4

**SAFETY FIRST**  
 PERSONAL PROTECTIVE EQUIPMENT  
 MUST BE WORN ON SITE  
 www.dialbeforeyoudig.com.au  

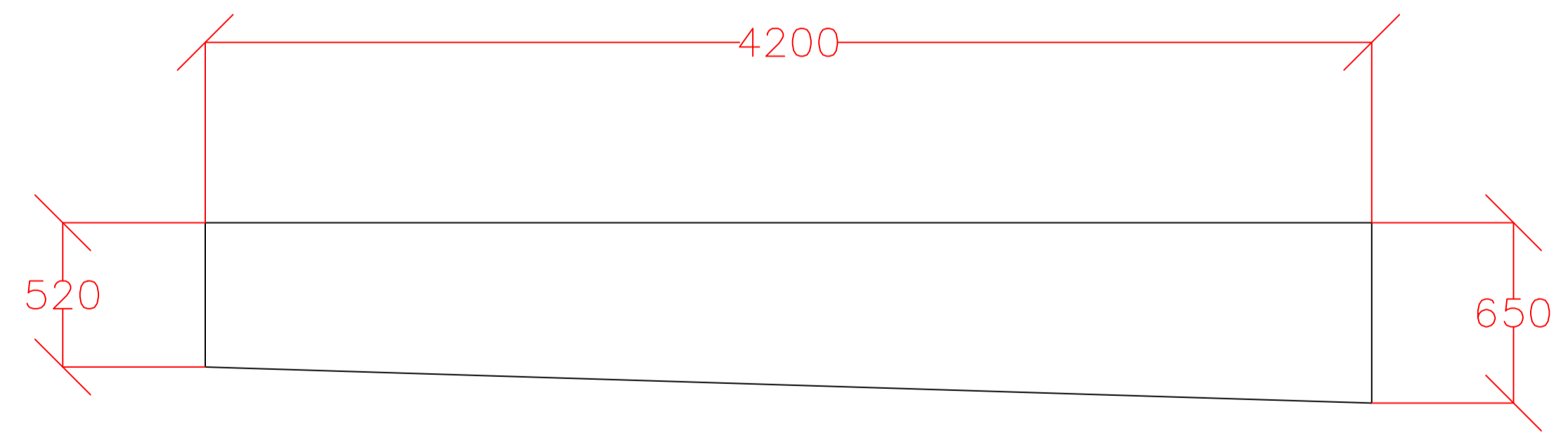
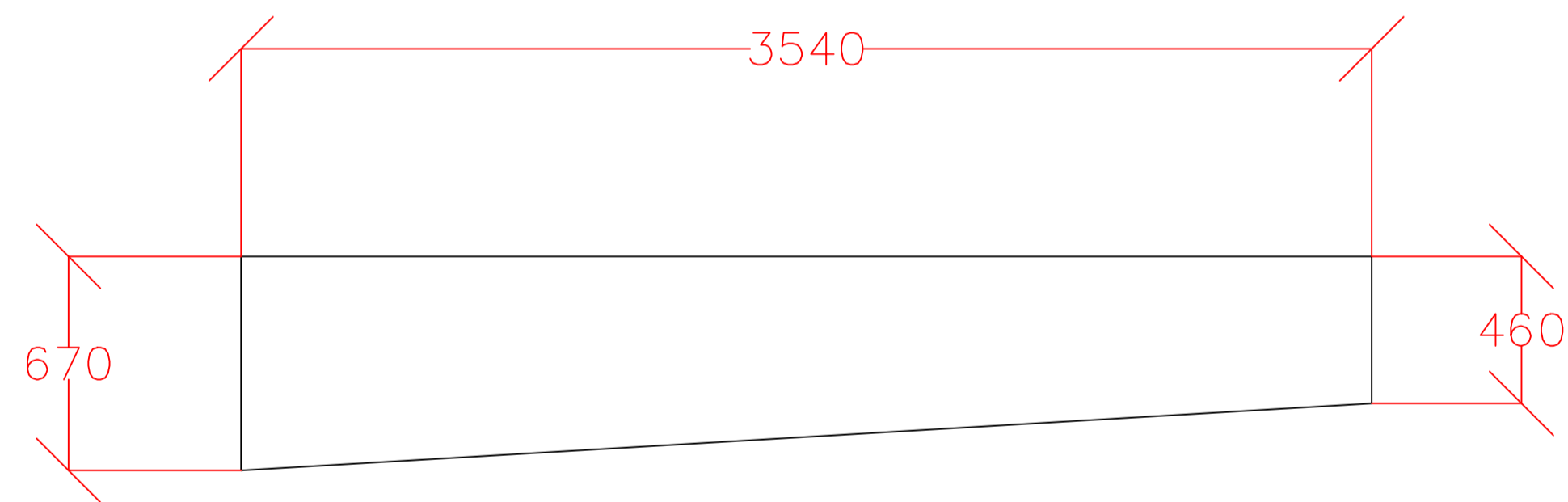

A1 - SCALE AS SHOWN	NUMBER OF SHEETS NSX-SHEETS	SHEET NUMBER SX
FILE NAME: REVISION GMC-VER-1	CAD FILE NAME.DWG <b>DWGNO</b>	

# CIVIC CENTRE GARDEN BEDS

## LIBRARY GARDEN BEDS

### SIDE VIEW

LIBRARY RETAINING WALL – SIDE VIEW  
 AREA APPROX 4.5M<sup>2</sup>



↑ CLIFFORD STREET

↓ CHURCH STREET

NOT FOR CONSTRUCTION

DRAWING NUMBER DWGNO

INDEX	NAME	DATE	AMENDMENTS
SURVEYED	S-NAME	S-DATE	AMEND1
DESIGNED & DRAFTED	D-NAME	D-DATE	AMEND2
DESIGN REVIEWED	R-NAME	R-DATE	AMEND3
FINAL DESIGN CHECKED	FDC-NAME	FDC-DATE	AMEND4
ISSUED FOR CONSTRUCTION	IFC-NAME	IFC-DATE	AMEND5
WORK AS EXECUTED	WAE-NAME	WAE-DATE	AMEND6

**GOULBURN MULWAREE COUNCIL**  
 CIVIC CENTRE, 184-194 BOURKE STREET  
 GOULBURN, NSW-2580  
 LOCKED BAG 22, GOULBURN, NSW-2580  
 PHONE: (02) 4823 4444  
 FAX: (02) 4823 4456

AUSTRALIAN HEIGHT DATUM AS-1100 STANDARDS

If the actual work done differs from the original drawing the person performing the work must amend this copy accordingly and return it to the Design Office.

**APPROVED**  
 DT-NAME  
 DIRECTOR OF  
 GOULBURN MULWAREE  
 OPERATIONS  
 DATE: DD/MM/YYYY

TITLE1  
 TITLE2  
 TITLE3  
 TITLE4

**SAFETY FIRST**  
 PERSONAL PROTECTIVE EQUIPMENT  
 MUST BE WORN ON SITE  
 www.dialbeforeyoudig.com.au  
**DIAL 1100**  
 BEFORE YOU DIG

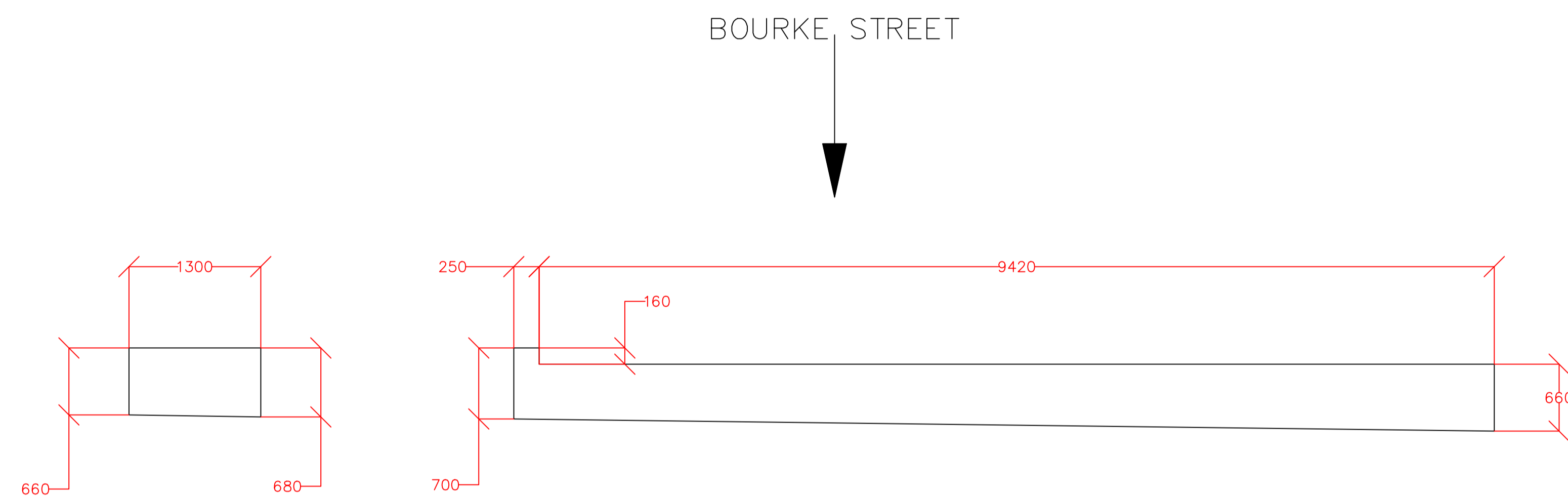
A1 - SCALE AS SHOWN	NUMBER OF SHEETS NSX-SHEETS	SHEET NUMBER SX
FILE NAME: REVISION GMC-VER-1	CAD FILE NAME.DWG <b>DWGNO</b>	

# CIVIC CENTRE GARDEN BEDS

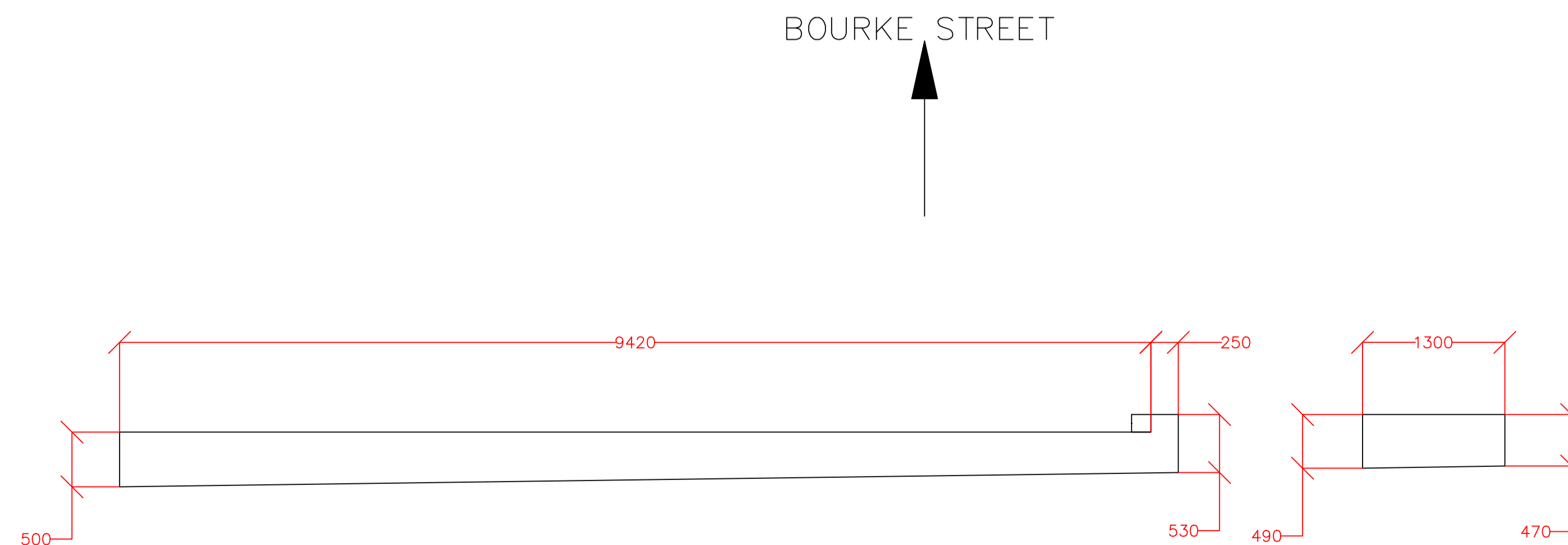
## CHAMBERS GARDEN BEDS

### FRONT AND BACK VIEW

CHAMBERS RETAINING WALL – FRONT VIEW  
AREA APPROX 6.7M<sup>2</sup>




CHAMBERS RETAINING WALL – BACK VIEW  
AREA APPROX 4.9M<sup>2</sup>



NOT FOR CONSTRUCTION

DRAWING NUMBER DWGNO

INDEX	NAME	DATE	AMENDMENTS
SURVEYED	S-NAME	S-DATE	AMEND1
DESIGNED & DRAFTED	D-NAME	D-DATE	AMEND2
DESIGN REVIEWED	R-NAME	R-DATE	AMEND3
FINAL DESIGN CHECKED	FDC-NAME	FDC-DATE	AMEND4
ISSUED FOR CONSTRUCTION	IFC-NAME	IFC-DATE	AMEND5
WORK AS EXECUTED	WAE-NAME	WAE-DATE	AMEND6


 CIVIC CENTRE, 184-194 BOURKE STREET  
 GOULBURN, NSW-2580  
 LOCKED BAG 22, GOULBURN, NSW-2580  
 PHONE: (02) 4823 4444  
 FAX: (02) 4823 4456

AUSTRALIAN HEIGHT DATUM      AS-1100 STANDARDS

If the actual work done differs from the original drawing the person performing the work must amend this copy accordingly and return it to the Design Office.

**APPROVED**  
 DT-NAME  
 DIRECTOR OF  
 GOULBURN MULWAREE  
 OPERATIONS  
 DATE: DD/MM/YYYY

**TITLE1**  
**TITLE2**  
**TITLE3**  
**TITLE4**

**SAFETY FIRST**  
 PERSONAL PROTECTIVE EQUIPMENT  
 MUST BE WORN ON SITE  
 www.dialbeforeyoudig.com.au  


A1 - SCALE AS SHOWN	NUMBER OF SHEETS NSX-SHEETS	SHEET NUMBER SX
FILE NAME: REVISION GMC-VER-1	CAD FILE NAME.DWG <b>DWGNO</b>	

# CIVIC CENTRE GARDEN BEDS

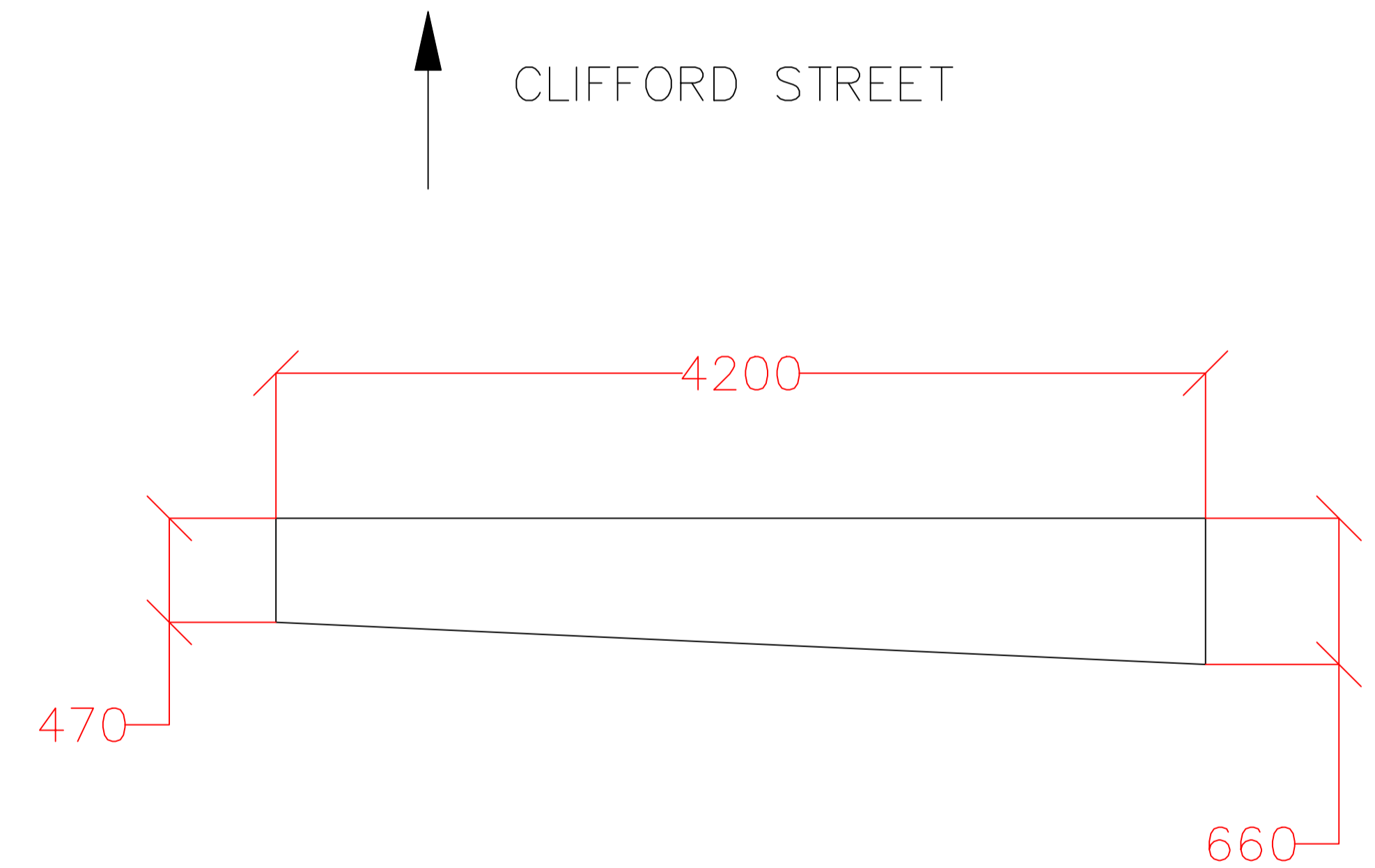
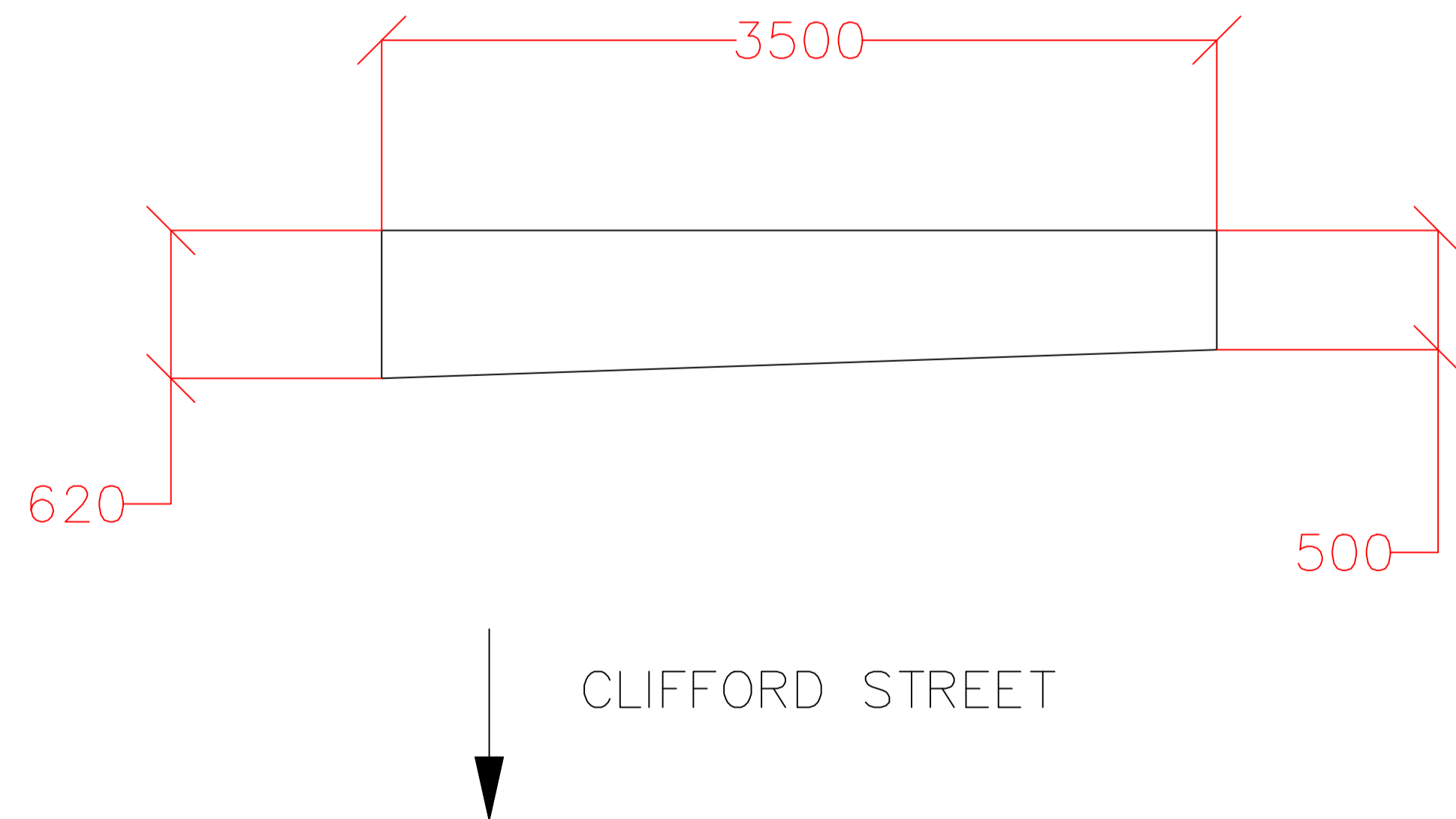
## CHAMBERS GARDEN BEDS

### SIDE VIEW

CHAMBERS RETAINING WALL – SIDE VIEW  
 AREA APPROX 4.3M<sup>2</sup>

NOT FOR CONSTRUCTION

DRAWING NUMBER DWGNO



INDEX	NAME	DATE	AMENDMENTS
SURVEYED	S-NAME	S-DATE	AMEND1
DESIGNED & DRAFTED	D-NAME	D-DATE	AMEND2
DESIGN REVIEWED	R-NAME	R-DATE	AMEND3
FINAL DESIGN CHECKED	FDC-NAME	FDC-DATE	AMEND4
ISSUED FOR CONSTRUCTION	IFC-NAME	IFC-DATE	AMEND5
WORK AS EXECUTED	WAE-NAME	WAE-DATE	AMEND6

**GOULBURN MULWAREE COUNCIL**  
 CIVIC CENTRE, 184-194 BOURKE STREET  
 GOULBURN, NSW-2580  
 LOCKED BAG 22, GOULBURN, NSW-2580  
 PHONE: (02) 4823 4444  
 FAX: (02) 4823 4456

AUSTRALIAN HEIGHT DATUM AS-1100 STANDARDS

If the actual work done differs from the original drawing the person performing the work must amend this copy accordingly and return it to the Design Office.

**APPROVED**  
 DT-NAME  
 DIRECTOR OF  
 GOULBURN MULWAREE  
 OPERATIONS  
 DATE: DD/MM/YYYY

**TITLE1**  
 TITLE2  
 TITLE3  
 TITLE4

**SAFETY FIRST**  
 PERSONAL PROTECTIVE EQUIPMENT  
 MUST BE WORN ON SITE  
 www.dialbeforeyoudig.com.au  
**DIAL 1100**  
 BEFORE YOU DIG

A1 - SCALE  
 AS SHOWN  
 FILE NAME:  
 REVISION  
 GMC-VER-1  
 RD: -/-/-

NUMBER OF SHEETS  
 NSX-SHEETS  
 SHEET NUMBER  
 SX  
 CAD FILE NAME.DWG  
**DWGNO**

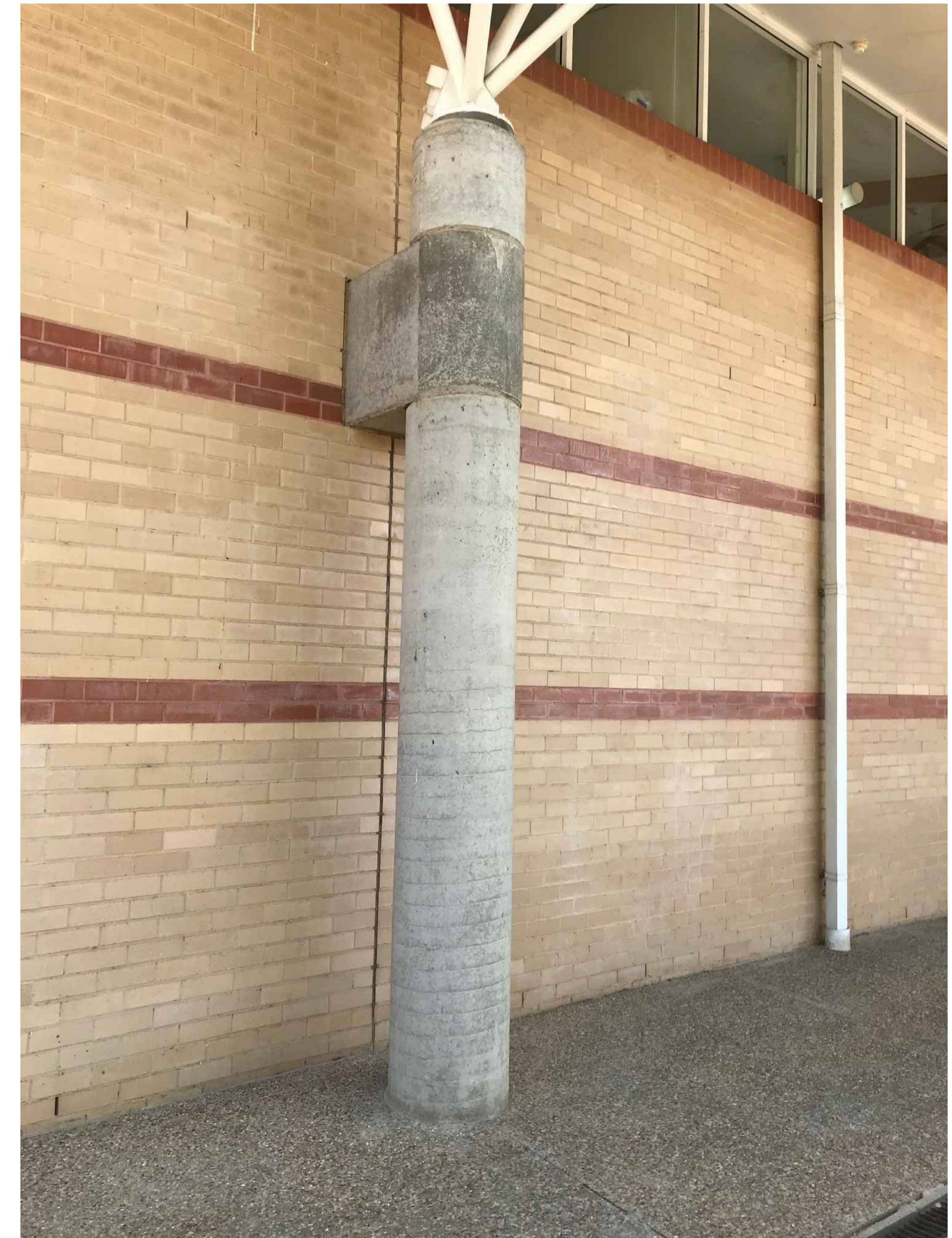


# CIVIC CENTRE

## CONCRETE COLUMNS

11 CONCRETE COLUMNS AT THE FRONT OF THE CIVIC CENTRE:

- HEIGHT APPROX. 4.1M
- DIAMETER APPROX. 0.5M



NOT FOR CONSTRUCTION

DRAWING NUMBER DWGNO

INDEX	NAME	DATE	AMENDMENTS
SURVEYED	S-NAME	S-DATE	AMEND1
DESIGNED & DRAFTED	D-NAME	D-DATE	AMEND2
DESIGN REVIEWED	R-NAME	R-DATE	AMEND3
FINAL DESIGN CHECKED	FDC-NAME	FDC-DATE	AMEND4
ISSUED FOR CONSTRUCTION	IFC-NAME	IFC-DATE	AMEND5
WORK AS EXECUTED	WAE-NAME	WAE-DATE	AMEND6

**GOULBURN MULWAREE COUNCIL**  
 CIVIC CENTRE, 184-194 BOURKE STREET  
 GOULBURN, NSW-2580  
 LOCKED BAG 22, GOULBURN, NSW-2580  
 PHONE: (02) 4823 4444  
 FAX: (02) 4823 4456

AUSTRALIAN HEIGHT DATUM AS-1100 STANDARDS

If the actual work done differs from the original drawing the person performing the work must amend this copy accordingly and return it to the Design Office.

**APPROVED**  
 DT-NAME  
 DIRECTOR OF  
 GOULBURN MULWAREE  
 OPERATIONS  
 DATE: DD/MM/YYYY

**TITLE1**  
 TITLE2  
 TITLE3  
 TITLE4

**SAFETY FIRST**  
 PERSONAL PROTECTIVE EQUIPMENT  
 MUST BE WORN ON SITE  
 www.dialbeforeyoudig.com.au  
**DIAL 1100**  
 BEFORE YOU DIG

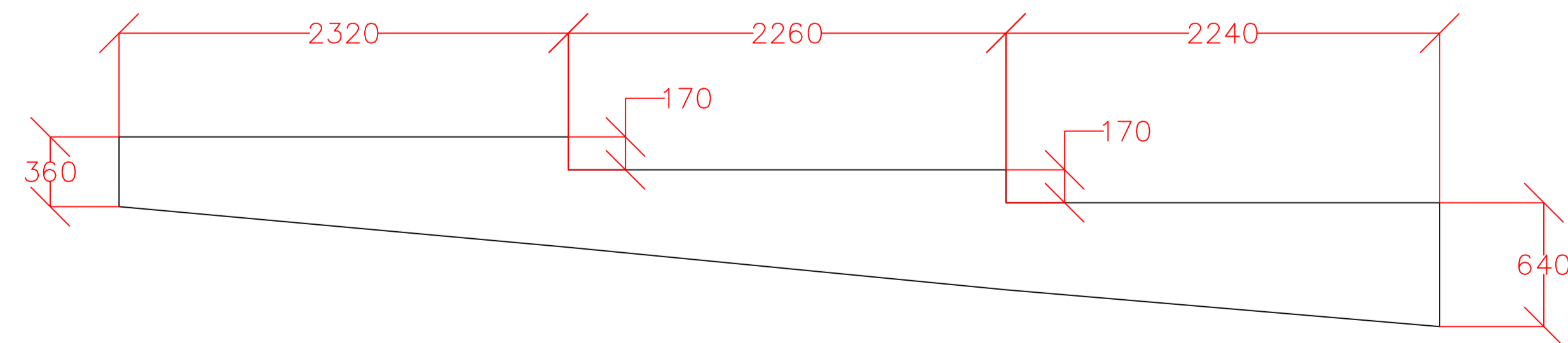
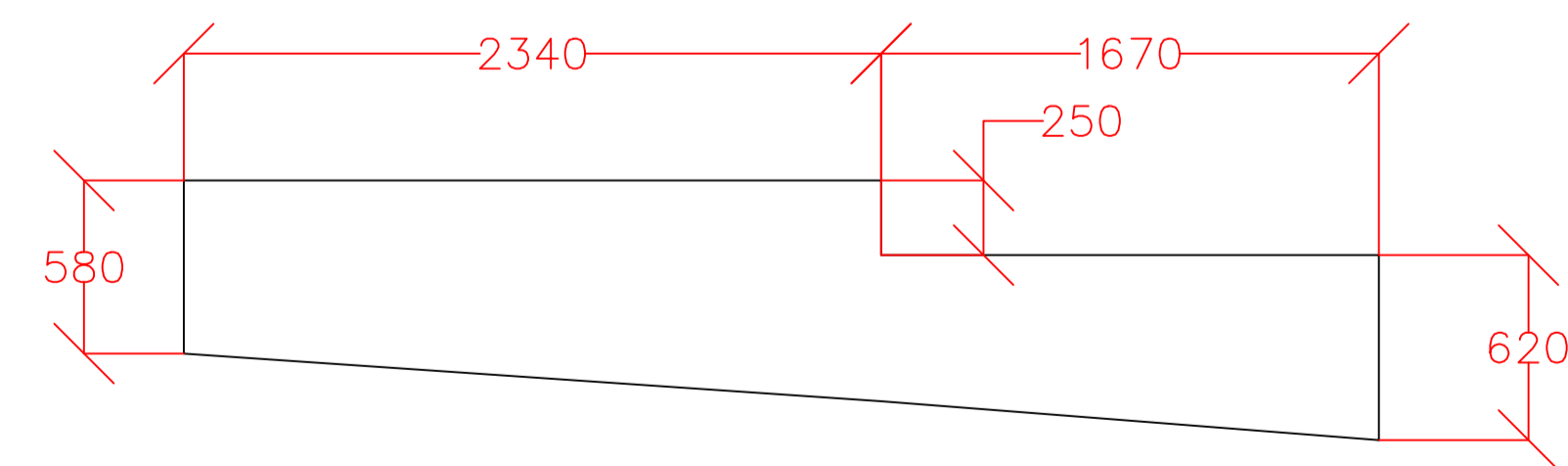
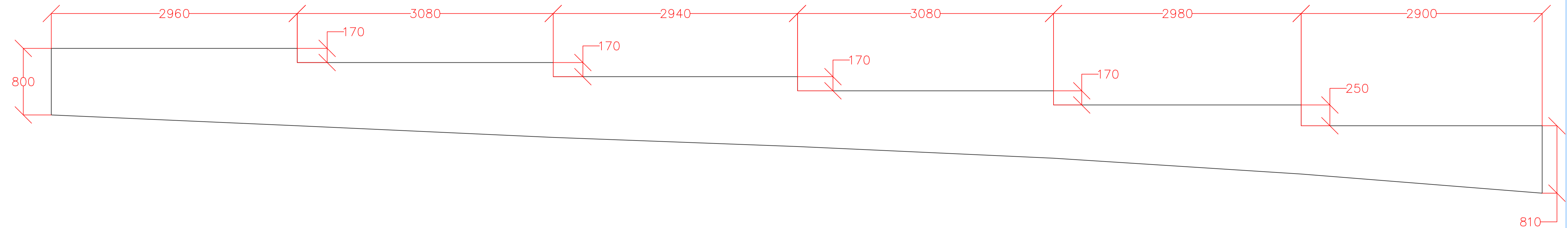
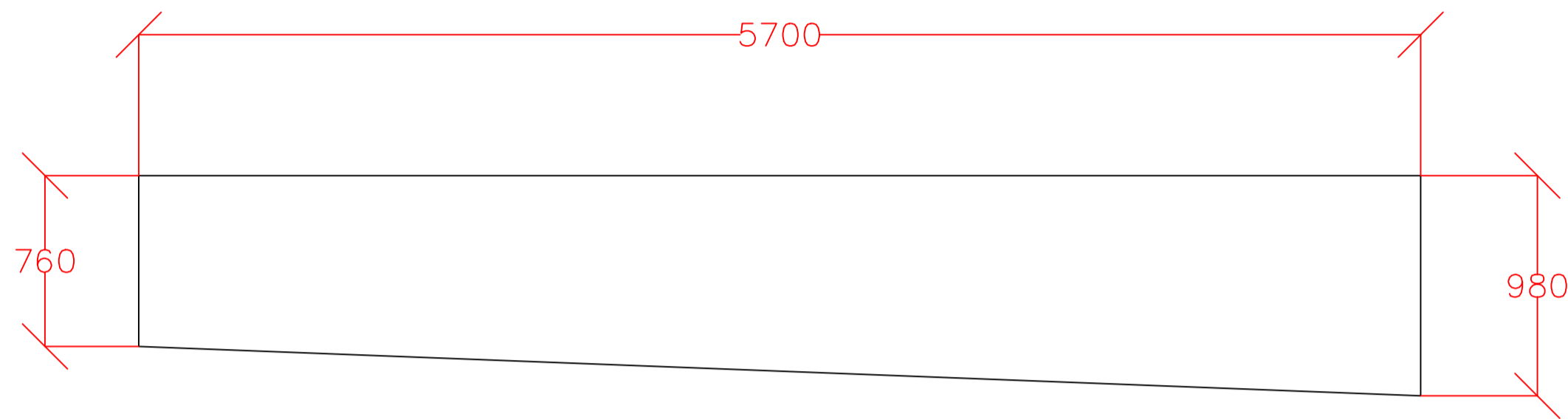
A1 - SCALE  
 AS SHOWN  
 REVISION  
 GMC-VER-1  
 RD: *[Signature]*

NUMBER OF SHEETS  
 NSX-SHEETS  
 SHEET NUMBER  
 SX  
 FILE NAME:  
 CAD FILE NAME DWG  
**DWGNO**

# CIVIC CENTRE GARDEN BEDS

## SIDE BRICK GARDEN BED

SIDE RETAINING WALL – FRONT VIEW  
 AREA APPROX 25M<sup>2</sup>



NOT FOR CONSTRUCTION

DRAWING NUMBER DWGNO

INDEX	NAME	DATE	AMENDMENTS
SURVEYED	S-NAME	S-DATE	AMEND1
DESIGNED & DRAFTED	D-NAME	D-DATE	AMEND2
DESIGN REVIEWED	R-NAME	R-DATE	AMEND3
FINAL DESIGN CHECKED	FDC-NAME	FDC-DATE	AMEND4
ISSUED FOR CONSTRUCTION	IFC-NAME	IFC-DATE	AMEND5
WORK AS EXECUTED	WAE-NAME	WAE-DATE	AMEND6

**GOULBURN MULWAREE COUNCIL**  
 CIVIC CENTRE, 184-194 BOURKE STREET  
 GOULBURN, NSW-2580  
 LOCKED BAG 22, GOULBURN, NSW-2580  
 PHONE: (02) 4823 4444  
 FAX: (02) 4823 4456

AUSTRALIAN HEIGHT DATUM AS-1100 STANDARDS

If the actual work done differs from the original drawing the person performing the work must amend this copy accordingly and return it to the Design Office.

**APPROVED**  
 DT-NAME  
 DIRECTOR OF GOULBURN MULWAREE OPERATIONS  
 DATE: DD/MM/YYYY

**TITLE1**  
 TITLE2  
 TITLE3  
 TITLE4

**SAFETY FIRST**  
 PERSONAL PROTECTIVE EQUIPMENT  
 MUST BE WORN ON SITE  
 www.dialbeforeyoudig.com.au  
**DIAL 1100**  
 BEFORE YOU DIG

A1 - SCALE AS SHOWN  
 FILE NAME: REVISION GMC-VER-1  
 RD: -/-/-

NUMBER OF SHEETS NSX-SHEETS  
 SHEET NUMBER SX  
 CAD FILE NAME DWG  
**DWGNO**